

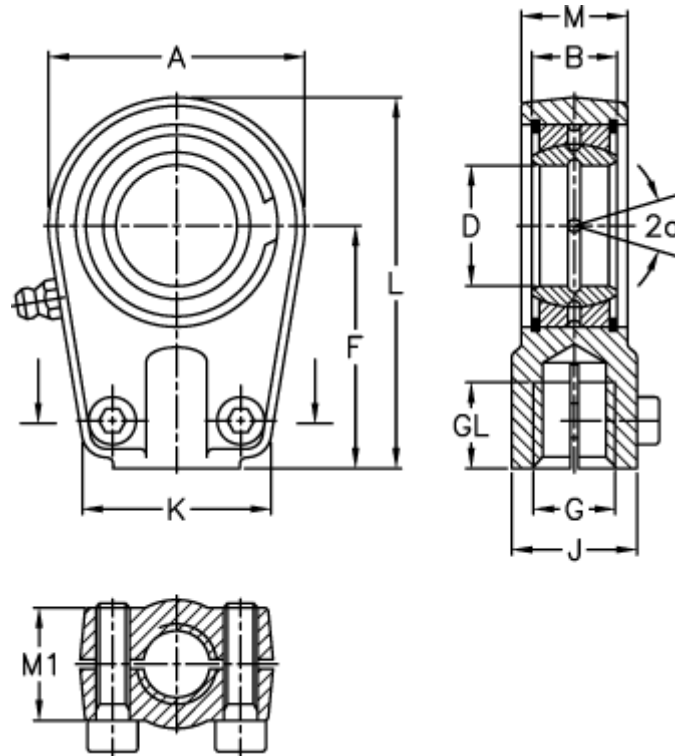
Data Sheet



Article number: 03553070

Description: Fluro hydraulic rod end FPR 70U

Measures



A	= 154	J	= 86
a (degrees)	= 6	K	= 130
B	= 49	L	= 232
D	= 70	M	= 55
Dynamic load C (kN)	= 315	M1	= 51
F	= 150	Static load C0 (kN)	= 540
g	= M65x1,5	Torque (N m)	= 210
GL	= 66	Weight	= 9200